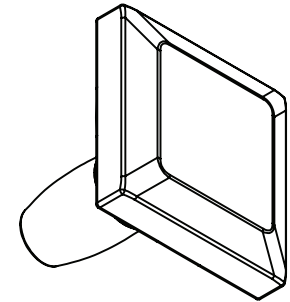
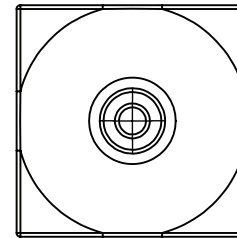
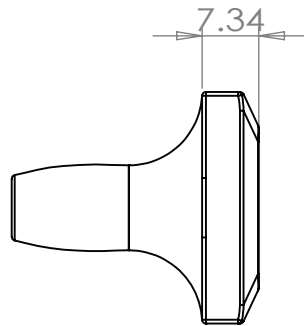



0



PART NO. 4192-10TB-P	MATERIAL ZINC	DATE 9-2023	 <p>2495 Main Street, Suite 111 Buffalo, NY Phone: 800.333.0578 Fax: 716.833.2402 Email: Info@BerensonHardware.com</p>
COLLECTION METRO	DESCRIPTION METRO TOASTED BRONZE KNOB	<small>PROPRIETARY AND CONFIDENTIAL</small> THE INFORMATION CONTAINED IN THIS DRAWING IS THE SOLE PROPERTY OF BERENSON CORP. ANY REPRODUCTION IN PART OR AS A WHOLE WITHOUT THE WRITTEN PERMISSION OF BERENSON CORP IS PROHIBITED.	
UNIT OF MEASURE MILLIMETERS			