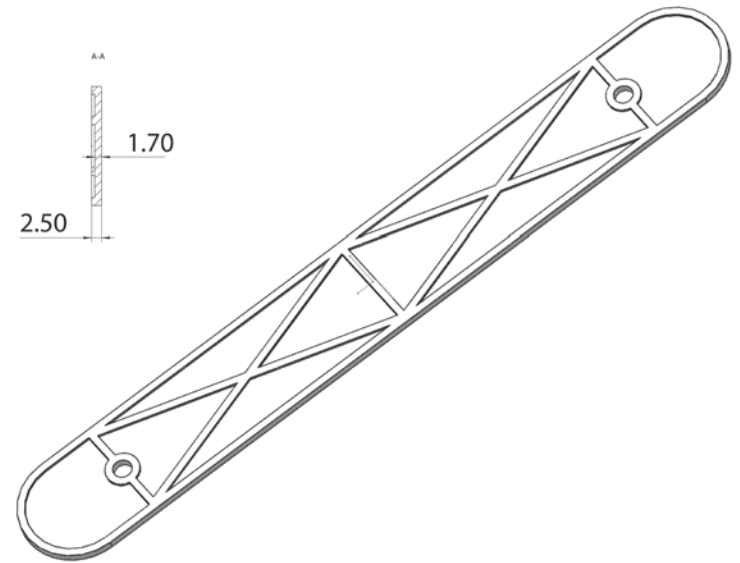



80 grams



PART NO. 3096-1MDB-B	MATERIAL ZINC	DATE 3-2026	 <p>2495 Main Street, Suite 111 Buffalo, NY Phone: 800.333.0578 Fax: 716.833.2402 Email: Info@BerensonHardware.com</p>
COLLECTION GALLOWAY	DESCRIPTION GALLOWAY 160MM CC MODERN BRUSHED GOLD ROUND BACKPLATE	<small>PROPRIETARY AND CONFIDENTIAL</small> THE INFORMATION CONTAINED IN THIS DRAWING IS THE SOLE PROPERTY OF BERENSON CORP. ANY REPRODUCTION IN PART OR AS A WHOLE WITHOUT THE WRITTEN PERMISSION OF BERENSON CORP IS PROHIBITED.	
UNIT OF MEASURE MILLIMETERS			